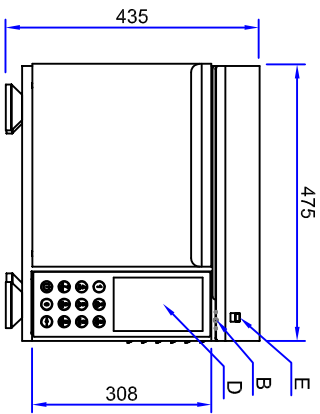
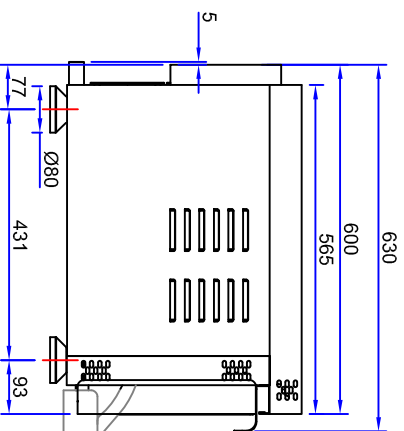


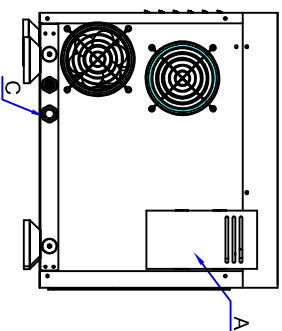
# Kolb Atollspeed Nano K02-2501T1S



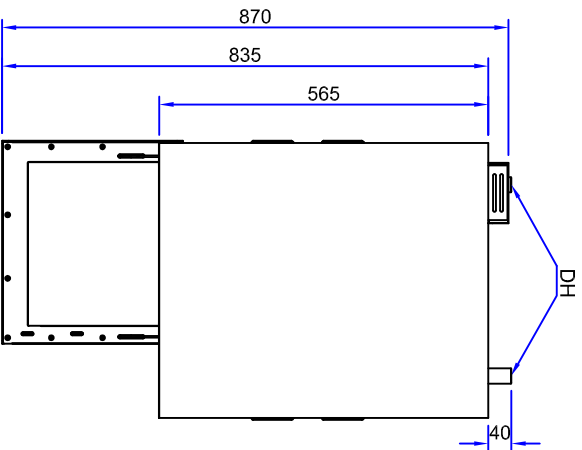
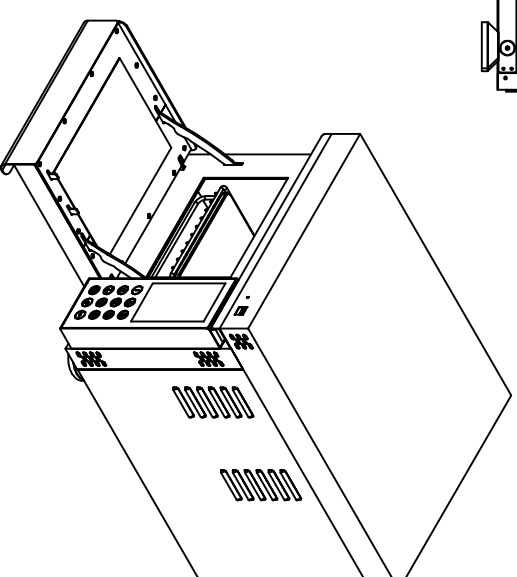
Front view



Side view



Rear view



Top view

- A Steam discharge cover
- B Temperature limiter
- C Power cable
- D Touch screen display
- DH Distance holder
- E USB

Dimension: 475(W) x 630(D) x 435(H) mm  
 Door open dimension: 475(W) x 870(D) x 435(H) mm  
 Baking chamber dimension: 240(W) x 250(D) x 170(H) mm  
 Standard Voltage: 220-230V/1Ph/PE/50 Hz  
 Optional Voltage: 208V, 240V (Specify on order)  
 Optional Frequency: 60 Hz (Specify on order)  
 Total power: 3.3 kW  
 Microwave Input power: 1.6 kW  
 Heating power: 3.3 kW  
 Current: 15 A  
 Weight: 58 kg  
 Microwave frequency: 2,465 GHz  
 Circuit breaker: D20  
 Wiring: 2.5 mm<sup>2</sup>

Signature: \_\_\_\_\_  
 Date: \_\_\_\_\_

Unassigned Tolerance According to DIN ISO 2768-1						
Dimension	0.3 To 6	6 To 30	30 To 120	120 To 400	Radius 0.5 To 3 Radius 3 To 6	mm
Tolerance	±0.1	±0.2	±0.3	±0.5	±0.2 ±0.5	mm

## Kolb Huizhou Ltd.

Tolerance	Customer Title: Atollspeed Nano	Material: SS304
-----------	---------------------------------	-----------------

Tolerance	Kolb Item Number:	Version: 01
-----------	-------------------	-------------

Tolerance	Kolb Item Name: Atollspeed Nano	
-----------	---------------------------------	--

Quantity	1	Approve	Check	Draft	Min	Unit	Scale	mm	Weight	Thickness	Item Number	Page
Date		Date	Date	Date	08.08.2015	Scale	1:1	mm			K02-2501T1S	1/1